

# R3S-8 Radar Scanner

Radar based scanner | Detection range 8 m x 8 m | Ensures increased safety in accordance with EN 12453

Detection of static and dynamic objects at barrier systems



**EN 12453**  
Protection level D

# Comfortable Solution for Barrier Systems

The R3S-8 radar scanner is an intelligent detection device for detecting static and dynamic objects at barrier systems according to EN 12453 protection level D. The focus is on the reliable differentiation of vehicles and people in the detection and danger area of barriers. The R3S-8 radar scanner eliminates the need for complex working in the road surface.

### Functionality

The intelligent radar scanner R3S-8 works with an operating frequency of approx. 60 GHz. The sensor safely detects moving and stationary objects in front of a barrier.

By detecting the movement direction and suppressing cross traffic a targeted passage is ensured. A distinction is also made between authorized vehicles and authorized persons.

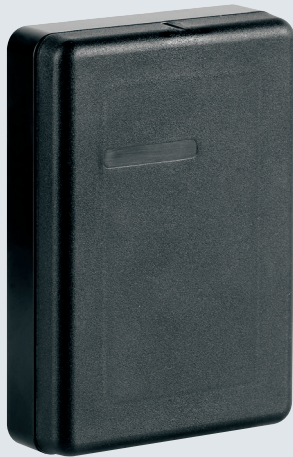
After switching on, LEDs are active and access via Bluetooth using an app is available for simple, guided and quick commissioning.

A particular strength is the robustness of the radar housing against a wide range of weather influences and violent interventions.

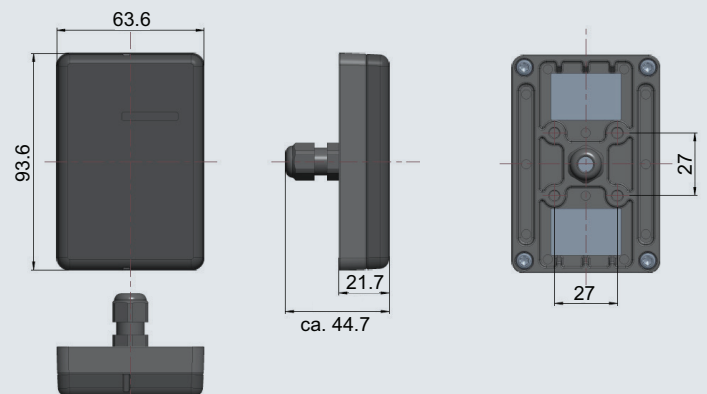
### Extract of Technical Data

### R3S-8 Radar scanner

<b>Technology</b>	Radar, FMCW
<b>Frequency range</b>	60 – 64 GHz
<b>Detection range</b>	max. 8.0 m x 8.0 m acc. EN 12453, protection level D
<b>Connection</b>	8-pin connection cable 0.25 mm <sup>2</sup>
<b>Protection class</b>	IP65
<b>Protection level D</b>	EN 12453
<b>Power supply</b>	9 – 30 V DC
<b>Power consumption</b>	max. 1.8 W
<b>Temperature range</b>	-30° C to +55° C
<b>Signal outputs</b>	3 solid state relays
<b>Signal input</b>	1 digital input, high activ
<b>Communication interface</b>	Bluetooth BLE 5.0



### Dimensions



### Highlights

- Increased safety thanks to EN 12453 protection level D
- Classification of objects for barrier opening and protection
- Tracking of static and dynamic objects
- Intuitive environment learning function and device configuration via mobile app
- Product lifecycle management and updates via Bluetooth and mobile app
- Cable connection for 3 outputs: occupancy for opening and protection area as well as passage detection
- Robust compact housing with protected connection cable

## Your Specialist in the Field of Entrance Automation

